

# CANTER 9C18 DUONIC® 2.0 LHD

## MODEL / VEHICLE TYPE 9C18

Cab type / crew	Comfort, single cab / 3			
Model variant	46917512	46917712	46917812	46917915
FUSO model code	FECX1EL3SEUY	FECX1GL3SEUY	FECX1HL3SEUY	FECX1KL3SEUY

## DIMENSIONS (MM)

Wheelbase		3400	3850	4300	4750
Overall length		6055	6730	7230	7780
Cab length		1625			
Width overall		2137			
Cab width		1995			
Height overall		2230		2225	
Track width	Front / rear	1665 / 1670			
Frame height (at end of frame)		845	850	845	
Ground clearance		185			
Cab to rear axle		2875	3325	3775	4225
Cab to end of frame		4345	5020	5520	6070
Maximum body length**		4985	5725	6470	7210
Frame width		850			
Front overhang		1185			
Rear overhang		1395	1695	1745	1845
Front axle to front of body		625			
Recommended distance cab to body		100			

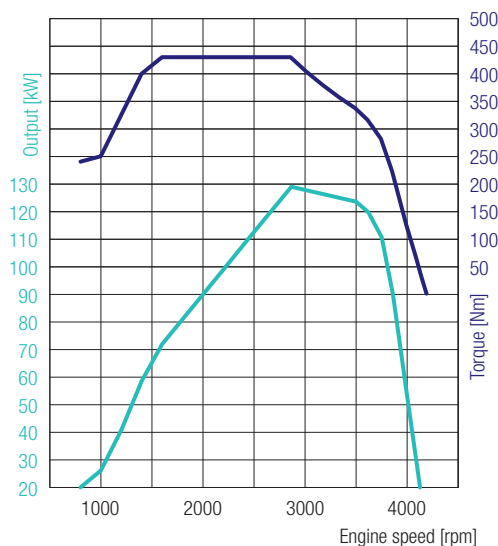
## WEIGHTS (KG)

Empty weight*		2575	2600	2635	2655
	Front* / rear*	1690 / 885	1670 / 930	1700 / 935	1720 / 935
Minimum vehicle weight		2660			
Gross vehicle weight / gross combination weight		8550 / 12050			
Axle loads*	Front / rear	3100 / 5800			
Towed weight	Braked / unbraked	3500 / 750			
Chassis load bearing capacity*		5975	5950	5915	5895

## CALCULATED OUTPUT

Maximum speed	km/h	129			
Minimum turning circle (m)	Kerb to kerb	12.2	13.8	15.2	16.6
	Wall to wall	13.8	15.2	16.6	18.0

\* The weight refers to the base vehicle (European series, including coolant, oil, 90% fuel, tyre sealant, tools and driver with 75 kg) without optional equipment. If any optional equipment is added, the weight changes accordingly. \*\* Calculated maximum value which should be checked depending on the body and application. Subject to change without notice. All data is approximate. The illustrations may contain accessories and items of optional equipment which are not part of the standard specification. The data sheet may contain product types and support services not available in certain countries.



## CANTER 9C18 DUONIC® 2.0 LHD

**4P10 – 129 kW (175 PS)**  
 430 Nm@1600 rpm  
 129 kW@2865 rpm

### ENGINE (EURO VI)

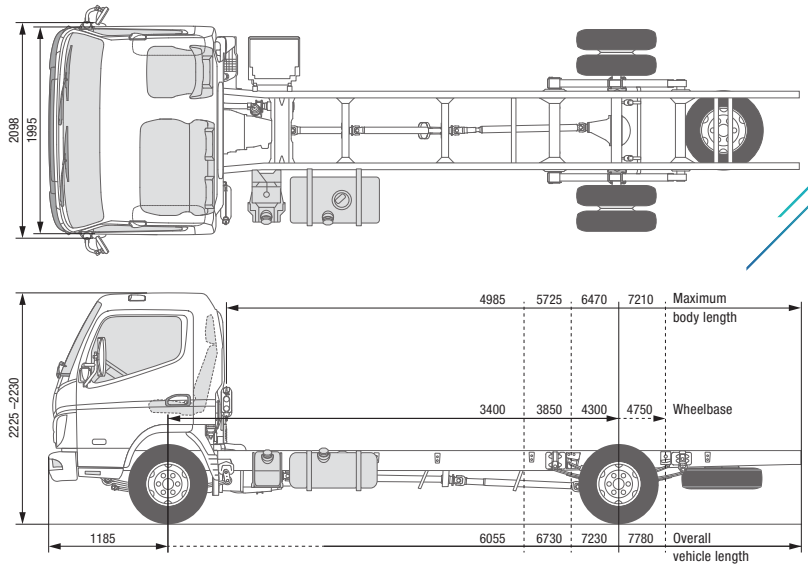
Type	Water-cooled four-stroke diesel engine with turbocharger, intercooler and direct injection			
No. of cylinders	4/in-line			
Capacity	2998 cm <sup>3</sup>			
Peak output	129 kW (175 hp) / 2865 rpm			
Rated torque	430 Nm / 1600 rpm			
Diesel particulate filter	Service life approx. 300,000 km			
Alternator	Alternating current 12 V, 140 A			
Exhaust gas aftertreatment	SCR + DPF			
PTO (optional)	Type	31 kW with flange	62 kW with flange	31 kW for directly connected pumps
	Torque at peak output [Nm]:	196 Nm	392 Nm	196 Nm
	Gear ratios	1:0.655	1:0.727	1:0.651
	Engine speed at peak output	1500 rpm		

### POWERTRAIN

Transmission	Model	DUONIC® 2.0: Automated transmission with dual clutch, 6 forward speeds and 1 reverse gear
	Gear ratio	5.397 - 3.788 - 2.310 - 1.474 - 1.000 - 0.701 - reverse 5.397
Rear axle gear ratio	Ratio	5.714

### CHASSIS

Front axle / rear axle	Model	F350T / R035T
	Load-bearing capacity front/rear	3100 kg / 5800 kg
Tyres		205/75R17.5C 124/122M
		Twin tyres at rear, tyres with optimised rolling resistance
Wheel		17.5 x 6.00 - 127 - 6 wheel bolts
Steering		LHD
		Recirculating-ball steering with power assist, tilting telescopic steering column with steering-wheel lock
Brake	Service brake	Hydraulic with vacuum power assist, dual-circuit with load-dependent brake proportioning valve at rear wheels
	Front / rear	Disc brake (252 x 40)
	Parking brake	Mechanical expanding brake on drive shaft at rear of transmission
	Auxiliary brake	Exhaust brake (50 kW)
Suspension	Front / rear	Semi-elliptic leaf spring with shock absorber and stabiliser
Frame	Type	Ladder-type frame with reinforcements and crossmembers
Fuel tank capacity		100 litres
Electrical system – batteries		12 V (100 AH - 760 A(EN))



# CANTER 9C18 DUONIC® 2.0 RHD

## MODEL / VEHICLE TYPE 9C18

Cab type / crew	Comfort, single cab / 3			
Model variant	46917522	46917722	46917822	46917925
FUSO model code	FECX1ER3SEUY	FECX1GR3SEUY	FECX1HR3SEUY	FECX1KR3SEUY

## DIMENSIONS (MM)

Wheelbase		3400	3850	4300	4750
Overall length		6055	6730	7230	7780
Cab length				1625	
Width overall				2137	
Cab width				1995	
Height overall		2230			2225
Track width	Front / rear		1665 / 1670		
Frame height (at end of frame)		845	850		845
Ground clearance				185	
Cab to rear axle		2875	3325	3775	4225
Cab to end of frame		4345	5020	5520	6070
Maximum body length**		4985	5725	6470	7210
Frame width				850	
Front overhang				1185	
Rear overhang		1395	1695	1745	1845
Front axle to front of body				625	
Recommended distance cab to body				100	

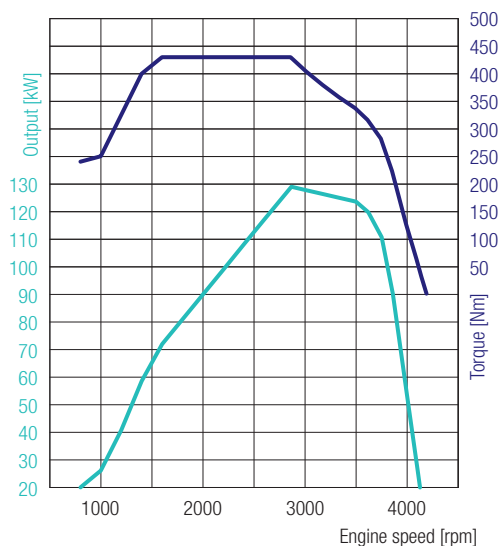
## WEIGHTS (KG)

Empty weight*		2575	2600	2635	2655
	Front* / rear*	1690 / 885	1670 / 930	1700 / 935	1640 / 1015
Minimum vehicle weight			2660		2655
Gross vehicle weight / gross combination weight			8550 / 12050		
Axle loads*	Front / rear		3100 / 5800		
Towed weight	Braked / unbraked		3500 / 750		
Chassis load bearing capacity*		5975	5950	5915	5895

## CALCULATED OUTPUT

Maximum speed	km/h	129			
Minimum turning circle (m)	Kerb to kerb	12.2	13.8	15.2	16.6
	Wall to wall	13.8	15.2	16.6	18.0

\* The weight refers to the base vehicle (European series, including coolant, oil, 90% fuel, tyre sealant, tools and driver with 75 kg) without optional equipment. If any optional equipment is added, the weight changes accordingly. \*\* Calculated maximum value which should be checked depending on the body and application. Subject to change without notice. All data is approximate. The illustrations may contain accessories and items of optional equipment which are not part of the standard specification. The data sheet may contain product types and support services not available in certain countries.



**4P10 – 129 kW (175 PS)**  
 430 Nm@1600 rpm  
 129 kW@2865 rpm

## CANTER 9C18 DUONIC® 2.0 RHD

### ENGINE (EURO VI)

Type	Water-cooled four-stroke diesel engine with turbocharger, intercooler and direct injection			
No. of cylinders	4/in-line			
Capacity	2998 cm <sup>3</sup>			
Peak output	129 kW (175 hp) / 2865 rpm			
Rated torque	430 Nm / 1600 rpm			
Diesel particulate filter	Service life approx. 300,000 km			
Alternator	Alternating current 12 V, 140 A			
Exhaust gas aftertreatment	SCR + DPF			
PTO (optional)	Type	31 kW with flange	62 kW with flange	31 kW for directly connected pumps
	Torque at peak output [Nm]:	196 Nm	392 Nm	196 Nm
	Gear ratios	1:0.655	1:0.727	1:0.651
	Engine speed at peak output	1500 rpm		

### POWERTRAIN

Transmission	Model	DUONIC® 2.0: Automated transmission with dual clutch, 6 forward speeds and 1 reverse gear
	Gear ratio	5.397 - 3.788 - 2.310 - 1.474 - 1.000 - 0.701 - reverse 5.397
Rear axle gear ratio	Ratio	5.714

### CHASSIS

Front axle / rear axle	Model	F350T / R035T
	Load-bearing capacity front/rear	3100 kg / 5800 kg
Tyres		205/75R17.5C 124/122M
		Twin tyres at rear, tyres with optimised rolling resistance
Wheel		17.5 x 6.00 - 127 - 6 wheel bolts
Steering		RHD
		Recirculating-ball steering with power assist, tilting telescopic steering column with steering-wheel lock
Brake	Service brake	Hydraulic with vacuum power assist, dual-circuit with load-dependent brake proportioning valve at rear wheels
	Front / rear	Disc brake (252 x 40)
	Parking brake	Mechanical expanding brake on drive shaft at rear of transmission
	Auxiliary brake	Exhaust brake (50 kW)
Suspension	Front / rear	Semi-elliptic leaf spring with shock absorber and stabiliser
Frame	Type	Ladder-type frame with reinforcements and crossmembers
Fuel tank capacity		100 litres
Electrical system – batteries		12 V (100 AH - 760 A(EN))